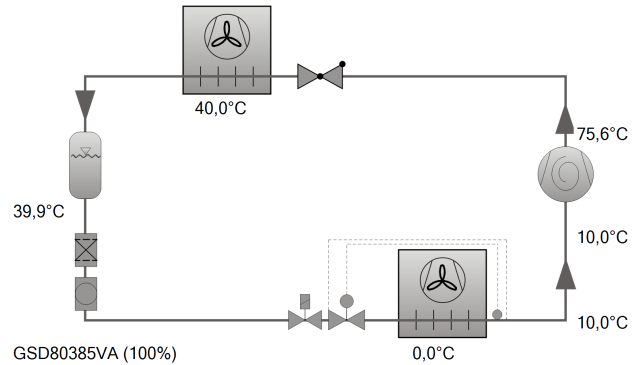




### Selection: Scroll-Compressor

#### Input Values

Compressor model	GSD80385VA
Refrigerant	R410A
Reference temperature	Dew point temp.
Evaporating SST	0 °C
Condensing SDT	40,0 °C
Liq. subc. (in condenser)	0 K
Suct. gas superheat	10,00 K
Power supply	400V-3-50Hz
Useful superheat	100%



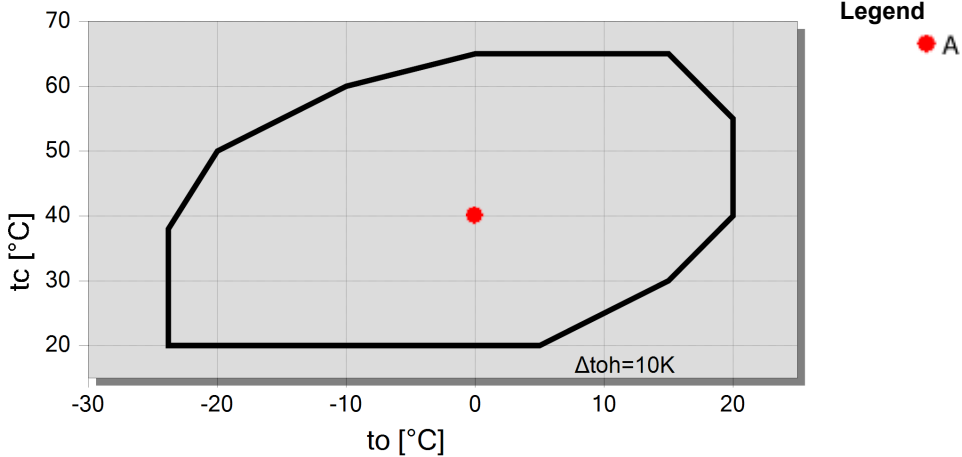
#### Result

<b>Compressor</b>	<b>GSD80385VA_4</b>
Capacity steps	100%
Cooling capacity	83,3 kW
Cooling capacity *	83,3 kW
Evaporator capacity	83,3 kW
Power input	21,5 kW
Current (400V)	39,3 A
Voltage range	380-420V
Condenser capacity	104,8 kW
COP/EER	3,87
COP/EER *	3,87
Mass flow	1808 kg/h
Discharge gas temp. w/o cooling	75,6 °C

Tentative Data.

\*according to EN12900 (10K suction gas superheat, 0K liquid subcooling)

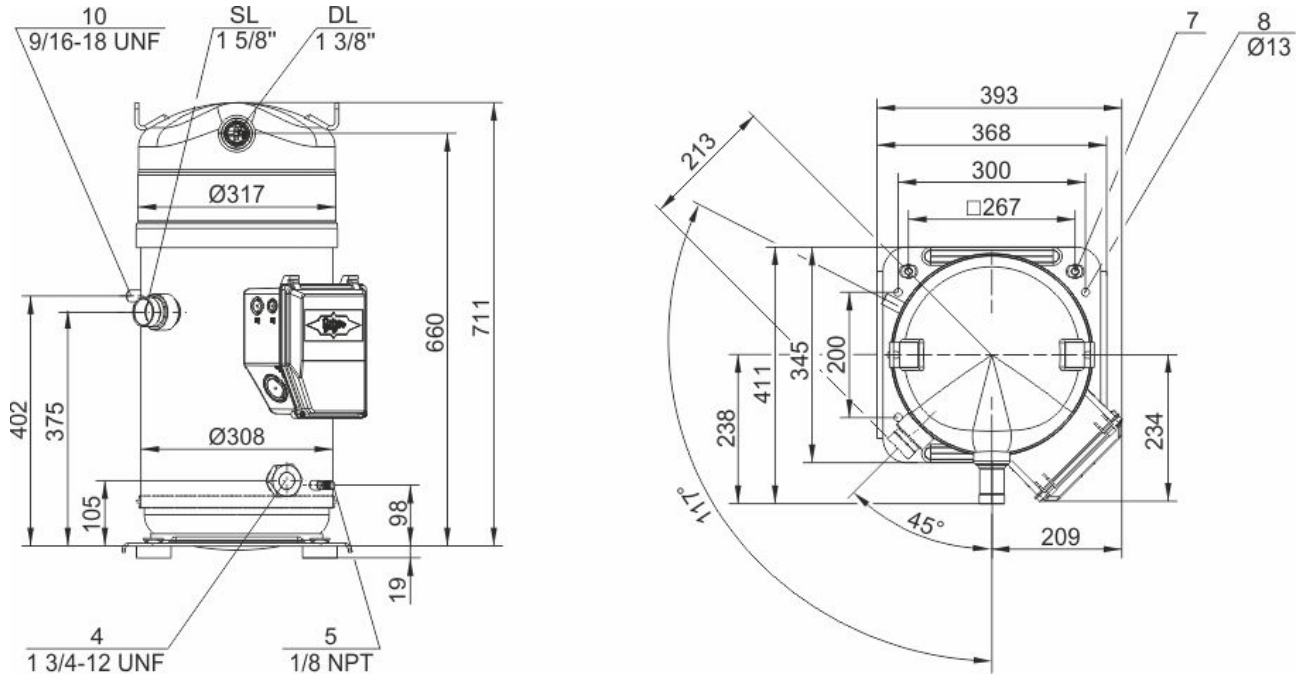
#### Application Limits GSD80385VA





## Technical Data: GSD80385VA

### Dimensions and Connections





## Technical Data

### Technical Data

Displacement (2900rpm 50 Hz)	61,8 m <sup>3</sup> /h
Displacement (3500rpm 60 Hz)	74,6 m <sup>3</sup> /h
Weight	144 kg
Max. pressure (LP/HP)	31 / 45bar
Connection suction line	
Direct brazing connection	1 5/8 (Standard "B" version)
Rotalock adapter	2 1/4(Option)
Rotalock shut-off valve	2 1/4(Option)
Connection discharge line	
Direct brazing connection	1 3/8 (Standard "B" version)
Rotalock adapter	1 3/4(Option)
Rotalock shut-off valve	1 3/4(Option)
Oil type R410A	BVC32 (Standard)

### Motor data

Motor voltage (more on request)	380-420V Y-3-50Hz
Max. operating current	66.0 A
Starting current (Rotor locked)	326.0 A
Max. power input	39,0 kW

### Extent of delivery (standard)

Oil charge	5,3 dm <sup>3</sup>
Motor protection	SE-B3
Enclosure class	IP54

### Available options

Oil heater	140 W
Discharge gas temperature sensor	Option
Motor protection	SE-E1
Vibration dampers	Option

### Sound measurement

Sound power level (+5°C / 50°C)	83,6 dB(A) @50 Hz
Sound pressure level @ 1m (+5°C / 50°C)	75,6 dB(A) @50 Hz